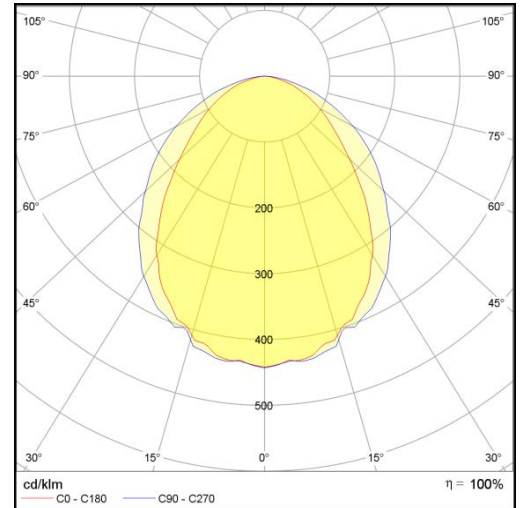


L5 Linear All In Style



LP-L5-P280-384 BPS PWM 840

Art. No 555441354

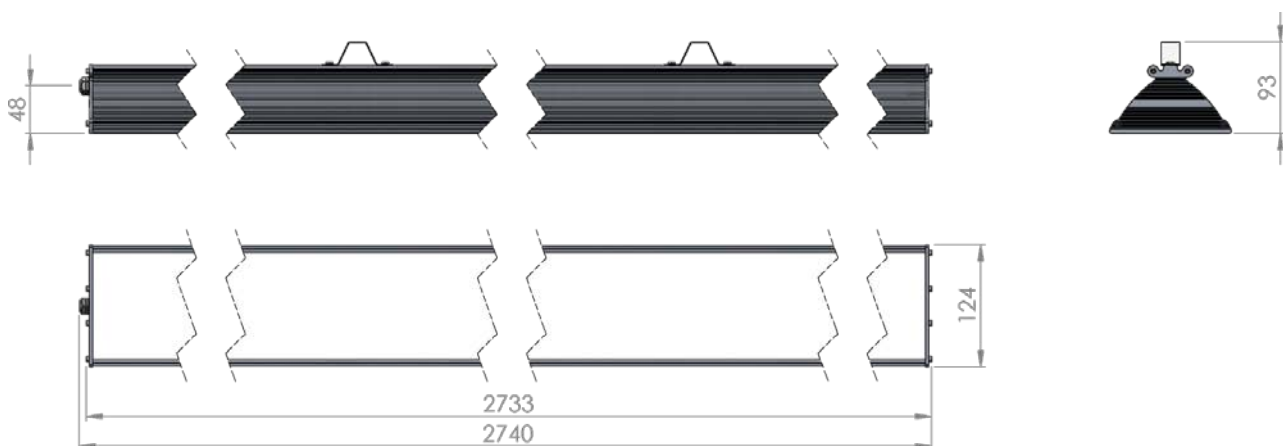


| | |
|-------------------------------|----------------|
| Luminous flux | 14160 lm |
| Luminaire efficiency | 118 lm/W |
| CRI | > 80 |
| Correlated colour temperature | 4000 K |
| Rated power | 120 W |
| LED | Samsung LM561B |
| Dimmable | YES - to 10% |
| Input current | 0.521 A |
| Working voltage | AC 220-240 V |
| Ingress protection code | IP54 |
| Mech. impact protection code | - |
| Working temperature | -30 to +40°C |

| | |
|--------------------|---|
| Service life | 100 000 hours at 80% luminous flux |
| Housing | Aluminium |
| Diffuser | PMMA |
| Installation | Surface mounting or suspended on wire/chain |
| Dimensions – LxWxH | 2740x124x93 mm |
| Weight | - |
| Mark | CE, RoHS |
| Origin | EU |
| Manufacturer | Solar LED Power Ltd. |



Dimensional drawing:



Solar LED Power Ltd. is constantly developing and improving its products. The right is reserved to change specifications without prior notification.